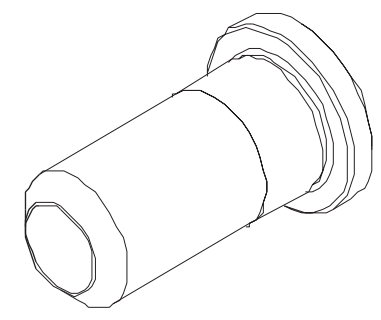
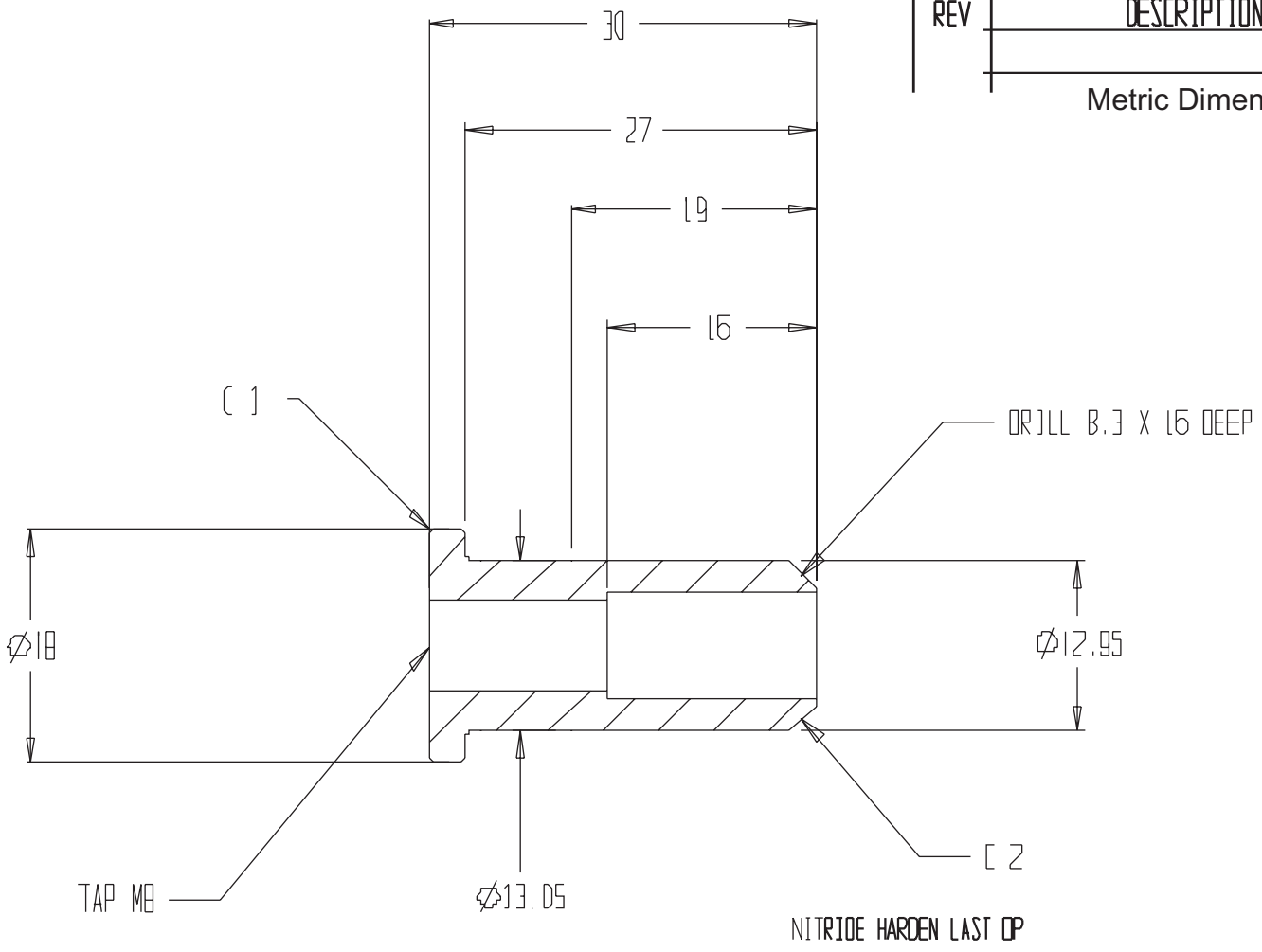


REV	DESCRIPTION		REVISIONS	
	DATE	APPROVED		
	Metric Dimensions (mm)		21-09-2001	



MATL: 4140 1 OFF / ENG	PROP DOWEL			
	ROTEC ENG			
	SIZE	FSCM NO.	DWG NO.	REV
	SCALE			SHEET