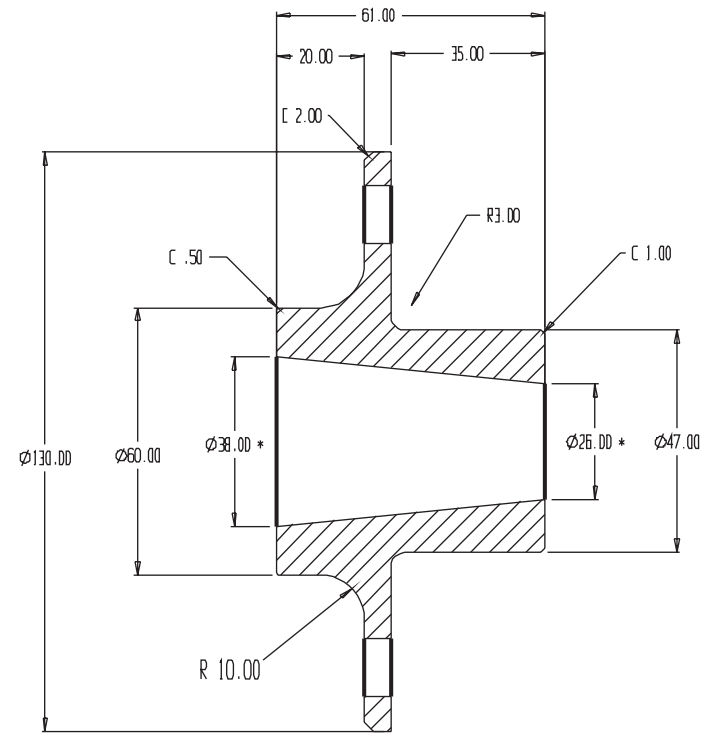
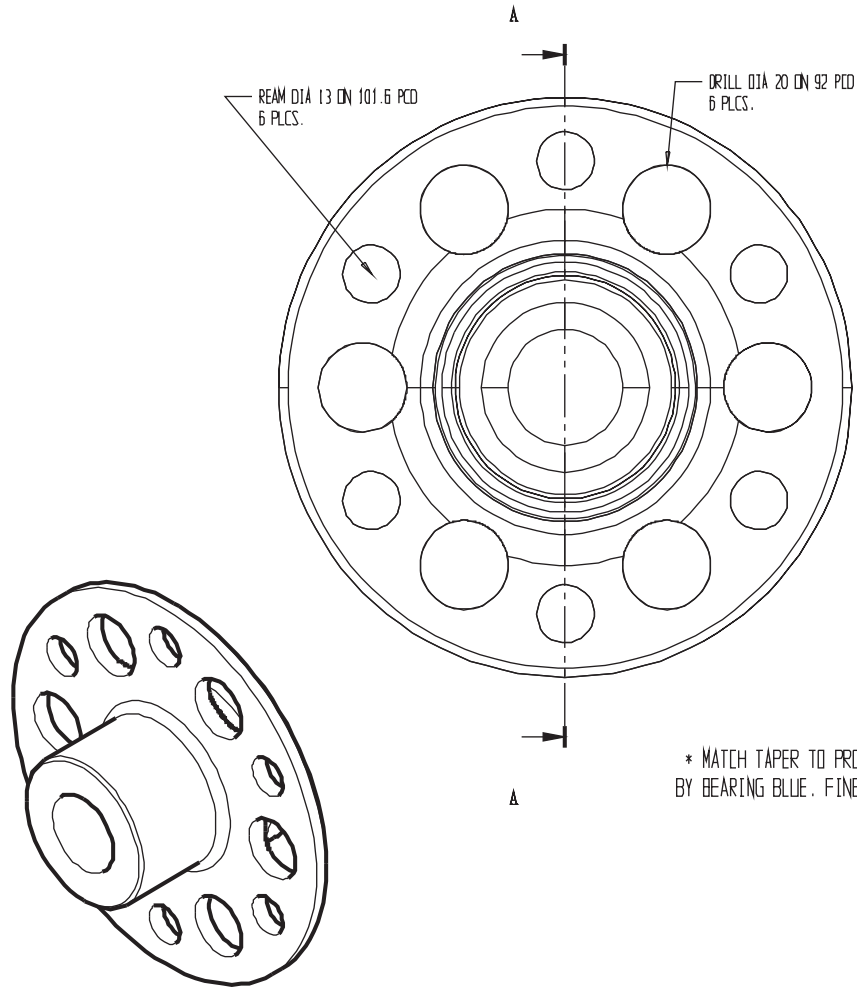


REVISIONS			
REV	DESCRIPTION	DATE	APPROVED
		19-09-2001	



\* MATCH TAPER TO PROP SHAFT GAUGE  
BY BEARING BLUE. FINE FINISH REQUIRED

MATL : 4140 1 OFF / ENG		ROTEC ENG		
		PROP HUB		
SIZE	FSCM NO.	DWG NO.	REV	
SCALE		SHEET		