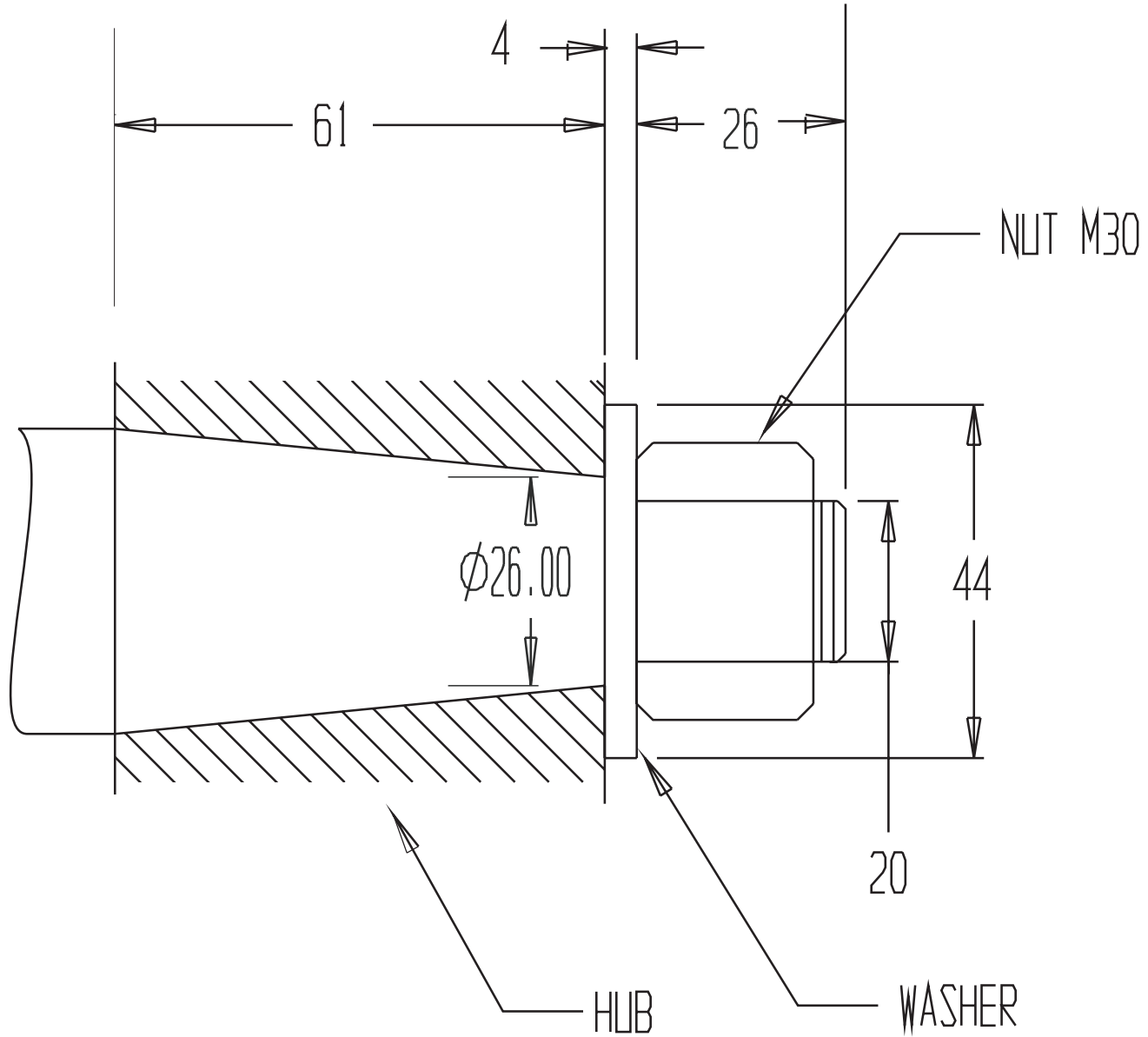




$\phi 38.00$



ROTEC ENGINEERING PTY LTD

---

Prop Drive Shaft Assembly  
Metric Measure (mm)