

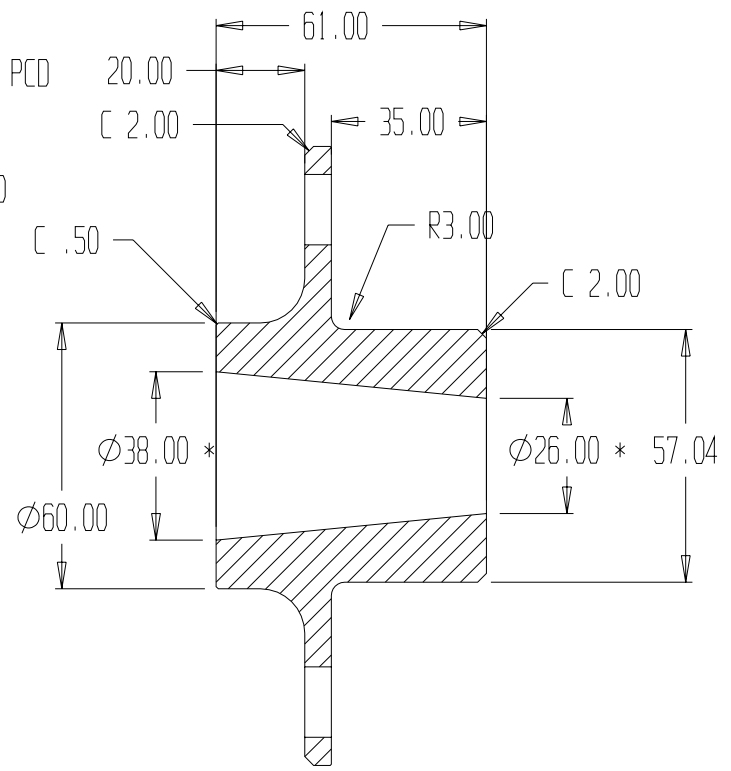
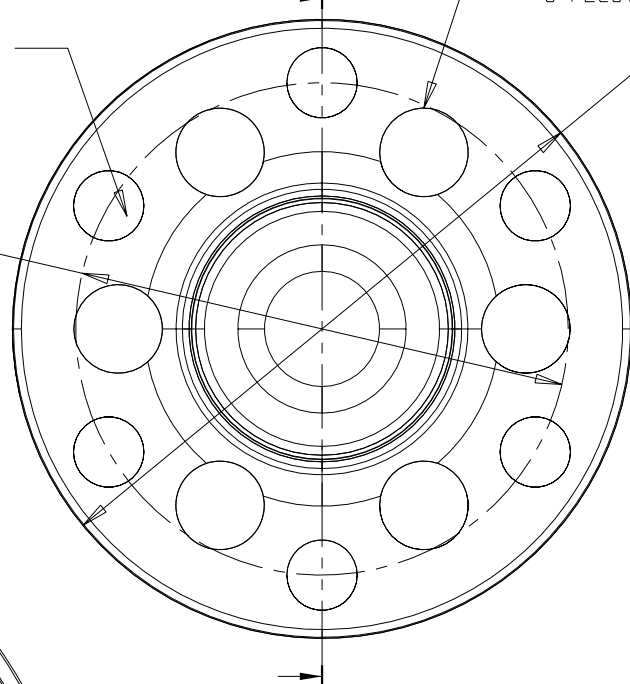
REVISIONS			
REV	DESCRIPTION	DATE	APPROVED
		02-01-2005	

REAM DIA 15.875 (5/8")
ON 111.12 PCD 6 PLCS.

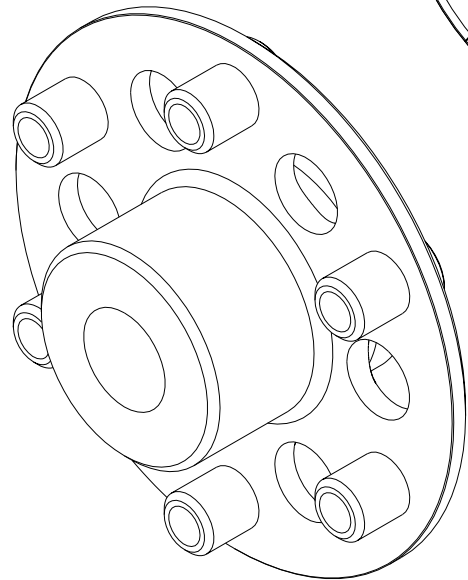
Ø111.12

DRILL DIA 20 ON 92 PCD
6 PLCS.

Ø139.70



SECTION A-A



SAE # 1 PROP HUB			REV
SIZE	FSCM NO.	DWG NO.	
SCALE		SHEET	